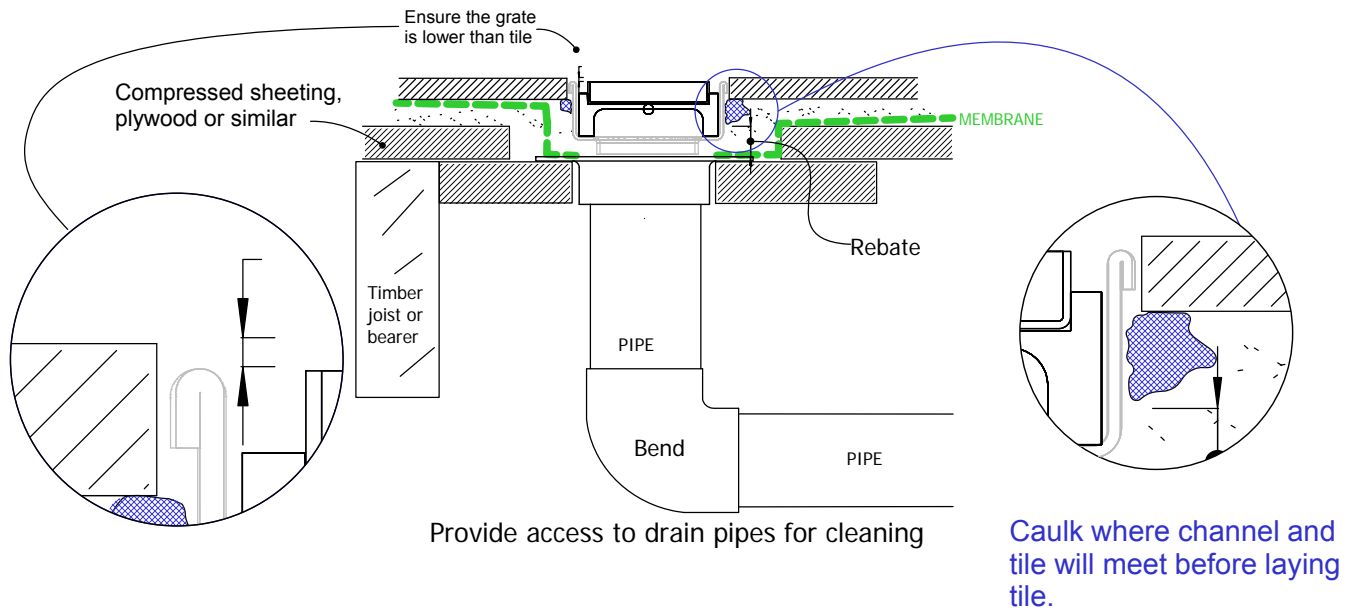


65Tii25/30 MTL & CO TIMBER FLOOR/DECK

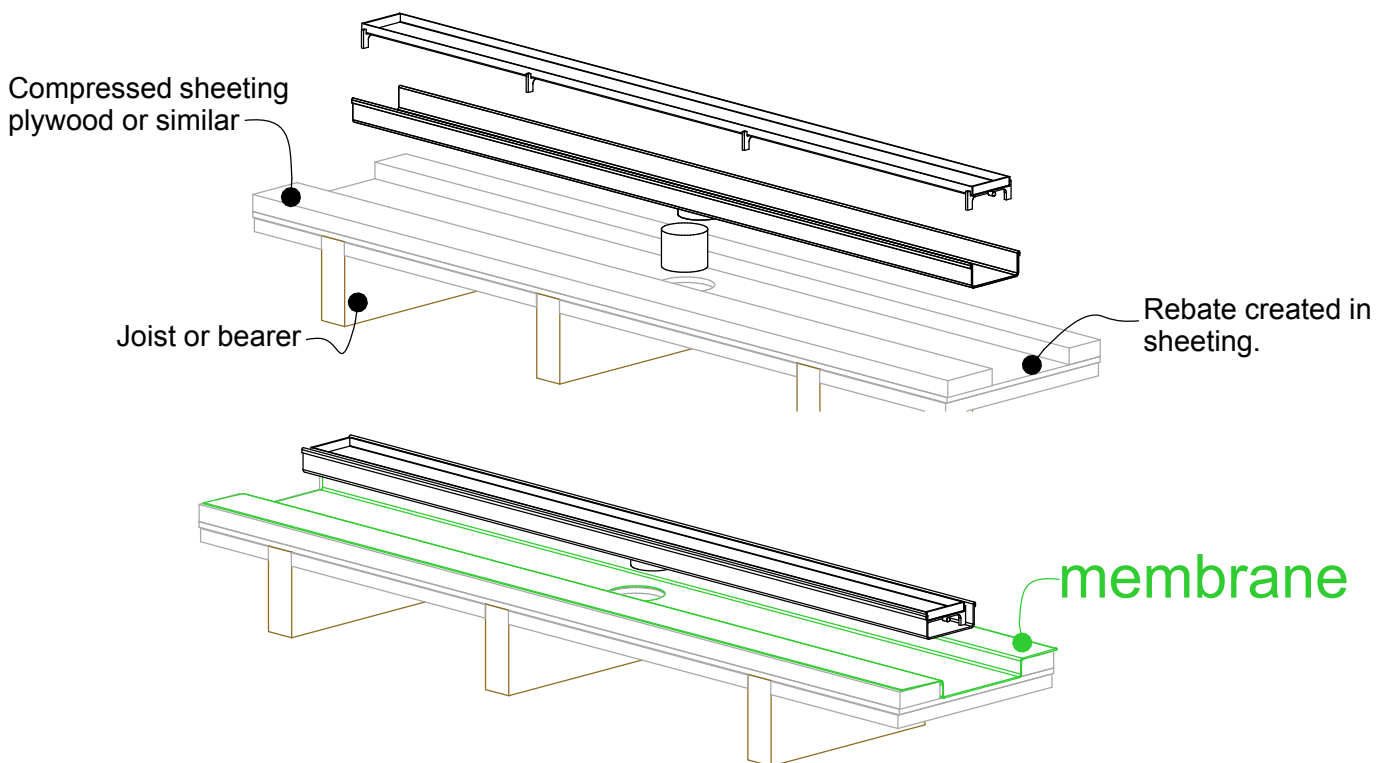
For 65TRTii25MTL, 65TRTiiCO25, 65Tii30MTL
65TiiCO30.



When 65Tii25/30 MTL & CO is running parallel to joist/bearer



When 65Tii25/30 MTL & CO is running perpendicular to joist/bearer



NOTE: For exterior application allow for expansion of 1mm 3 metres by using quality suitable flexible sealant on channel joins.

