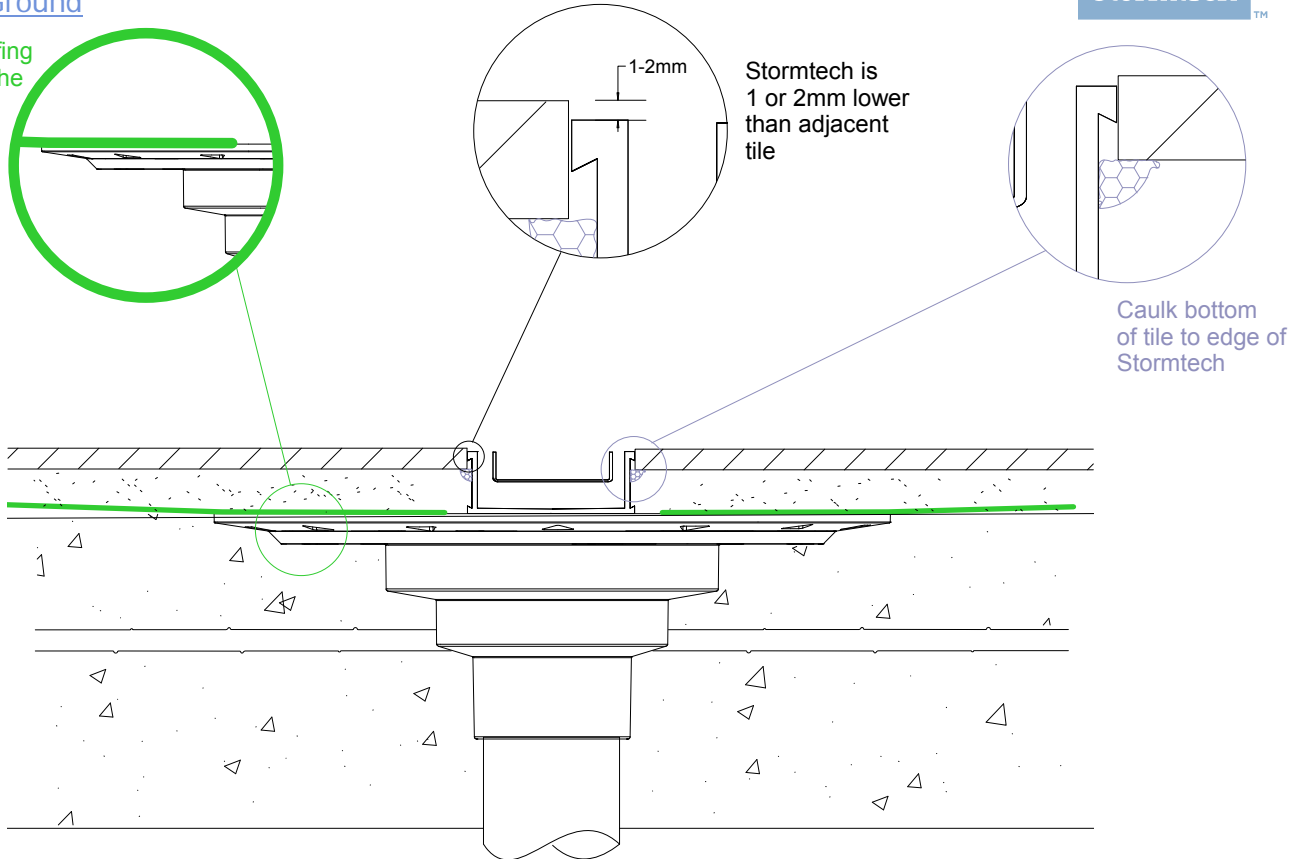


65TiG25 Concrete Floor or Deck

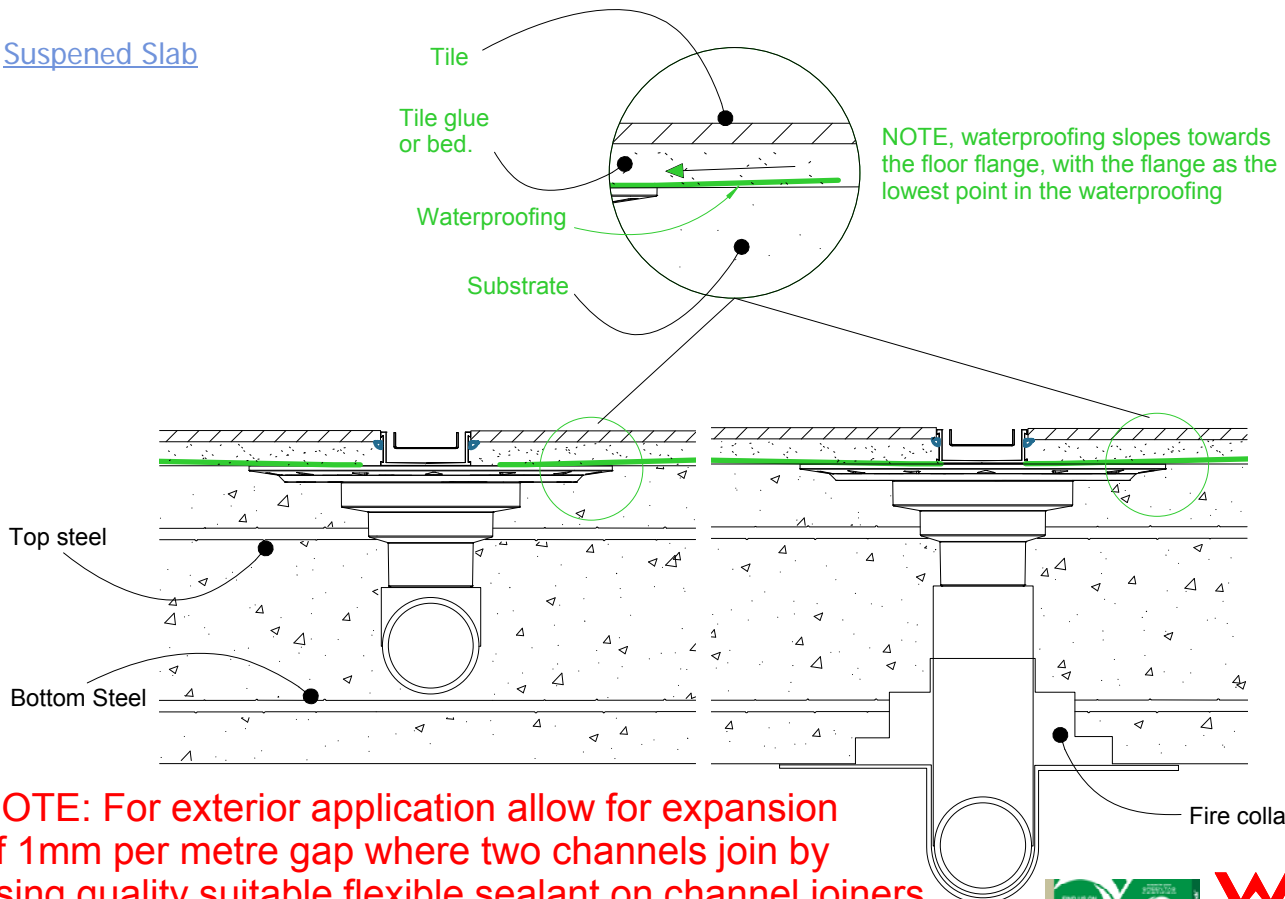


Slab on Ground

Waterproofing is fixed to the floor flange



Suspended Slab



NOTE: For exterior application allow for expansion of 1mm per metre gap where two channels join by using quality suitable flexible sealant on channel joiners. Use PVC solvent cement for ends and outlets.

