

# 38G40 TIMBER FLOOR/DECK



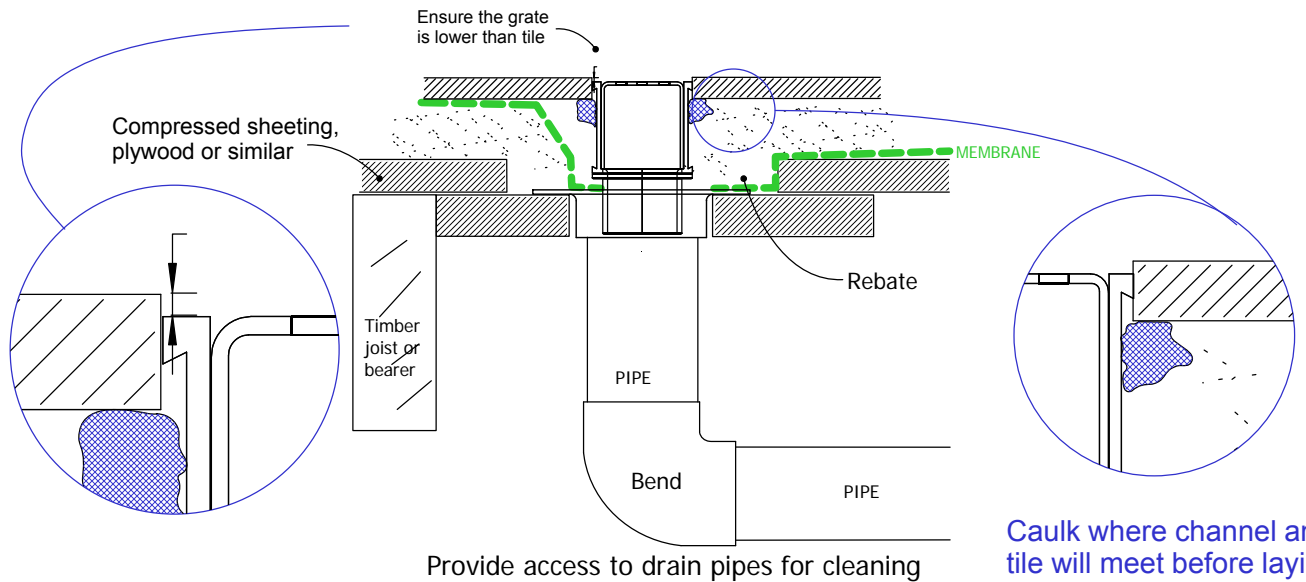
Installation suggestion for:

38ARG40

38PSG40

38PHG40

## When 38G40 is running parallel to joist/bearer



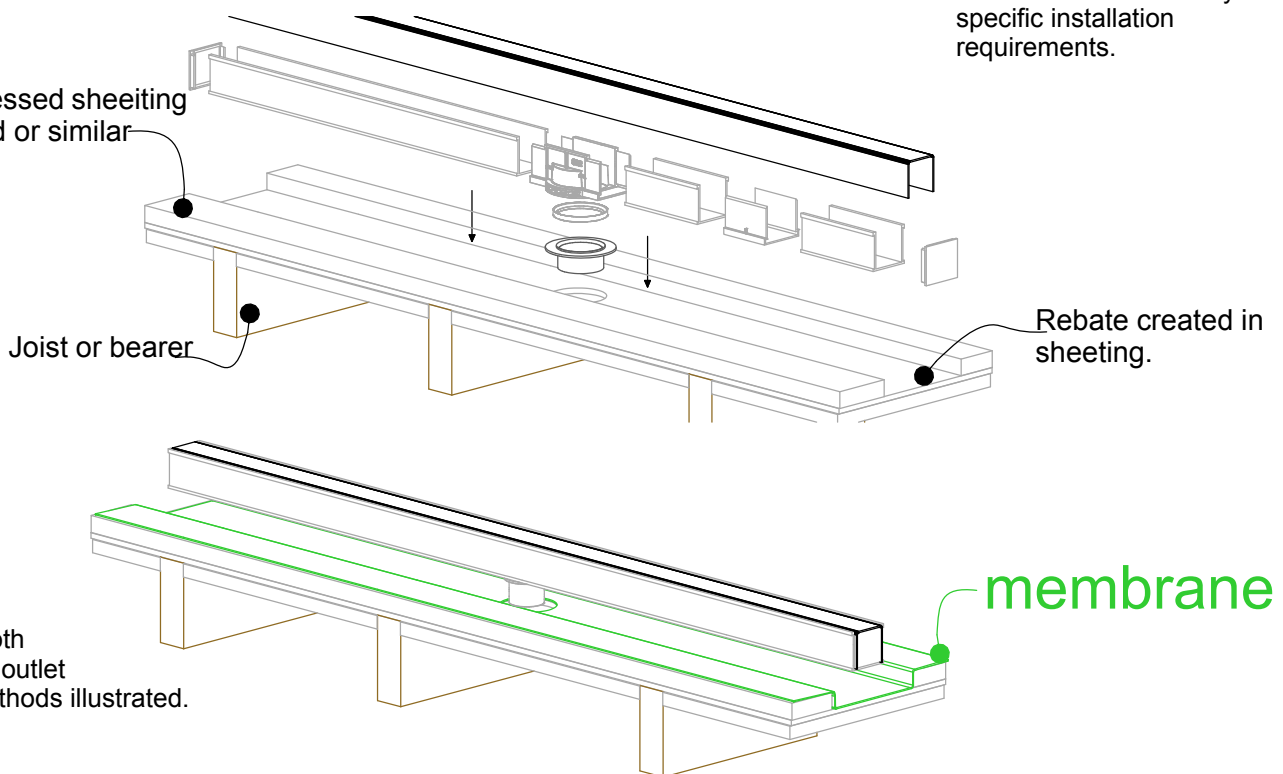
Provide access to drain pipes for cleaning

Caulk where channel and tile will meet before laying tile.

## When 38G40 is running perpendicular to joist/bearer

Be sure to check with local relevant authorities for your specific installation requirements.

Compressed sheeting  
plywood or similar



Please note both DN40 & DN50 outlet connection methods illustrated.

**NOTE: For exterior application allow for expansion of 1mm per metre by using quality suitable flexible sealant on channel joins. Use PVC solvent cement and primer for ends and outlets.**

