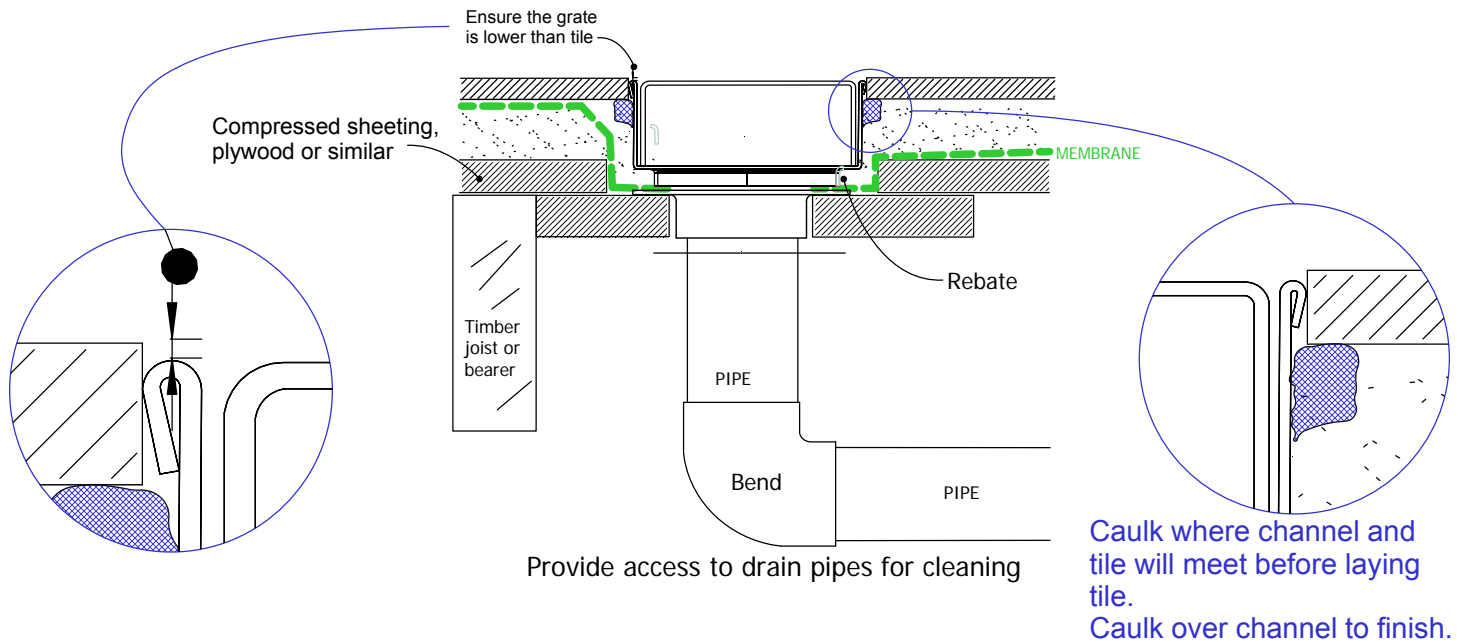


100i40 TIMBER FLOOR/DECK

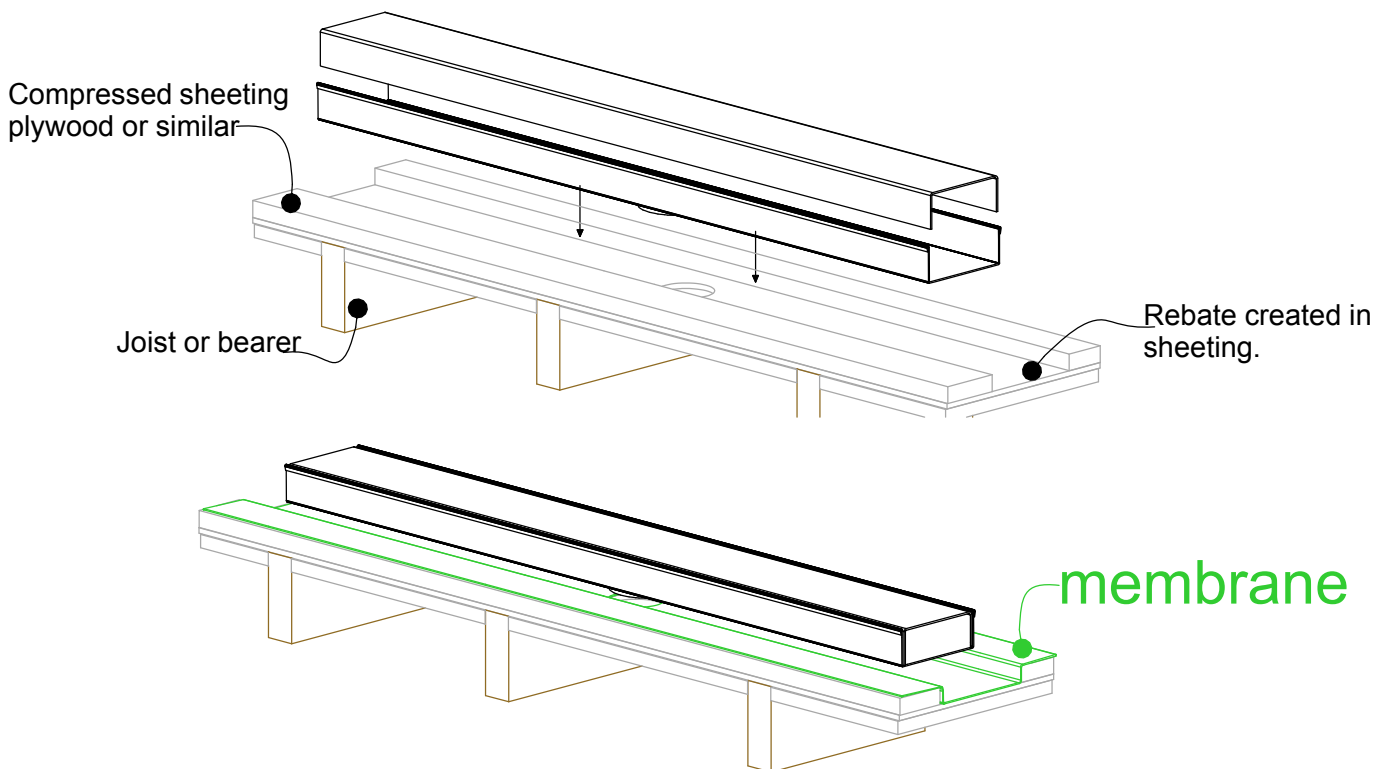
For 100ARi40, 100PSi40, 100TRi40



When 100i40 is running parallel to joist/bearer



When 100i40 is running perpendicular to joist/bearer



NOTE: For exterior application allow for expansion of 1mm per metre by using quality suitable flexible sealant on channel joins.

